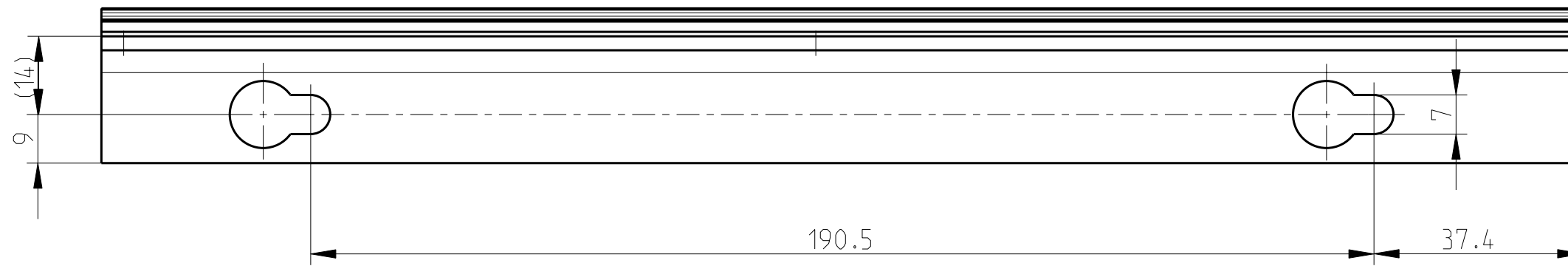
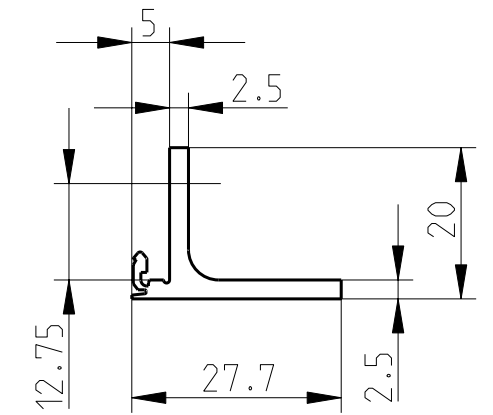
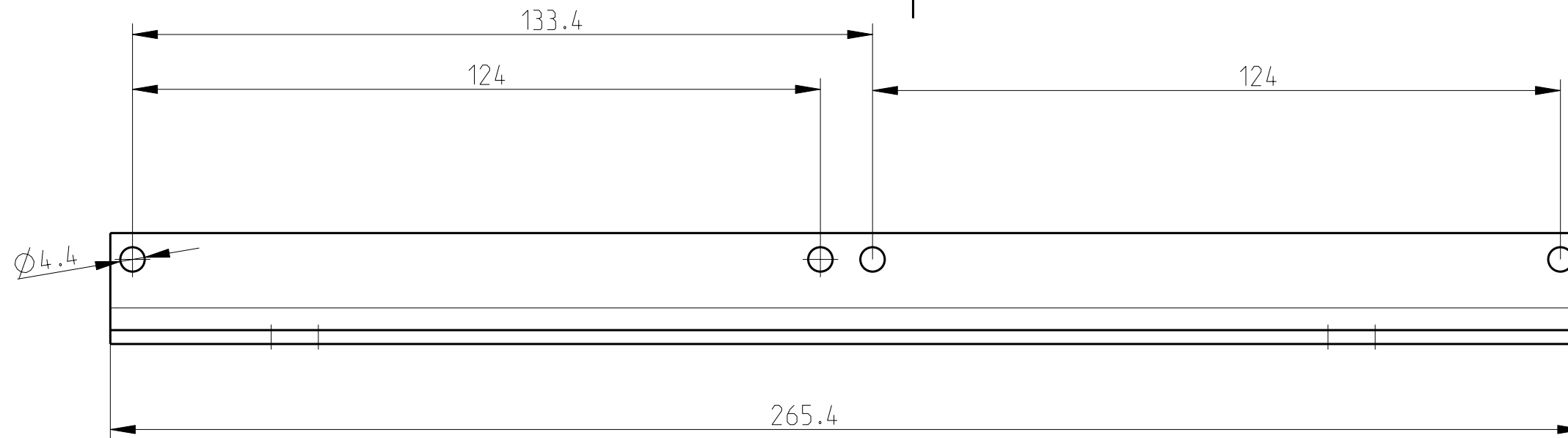


The reproduction, distribution and utilization of this document as well as the communication of its contents to others without explicit authorization is prohibited. Offenders will be held liable for the payment of damages. All rights reserved in the event of the grant of a patent, utility model or design.



Art.Nr.	Zeichnungs Nr.
Part No.	Drawing No.
3687777	P0016000RV53

Technische Änderungen vorbehalten  
subject to change without notice

1) matt gebeizt, farblos chromatiert  
clear chromate

Dieses Bauteil unterliegt den Reglementierungen der RoHS Richtlinie und deren Umsetzung im ElektroG.

This component is subject to the RoHS directive and its applications within the Electrical and Electronic Equipment Act (ElektroG).

	Toleranzen tolerances		Oberfläche surface		Maßstab/scale 1:1	
			1)		Aluminium	
			Date	28.04.06	Flansch rechts/Flange right Schlüsseloch 6HE Keyhole 6U	
			Name	FroS		
			Prf.	Schaffer		
Rev.	Rev no.	Date	Name			1 Blatt sheets Blatt sheet
Ersatz für A2234304RP23						
					P0016000RV53	

CAD