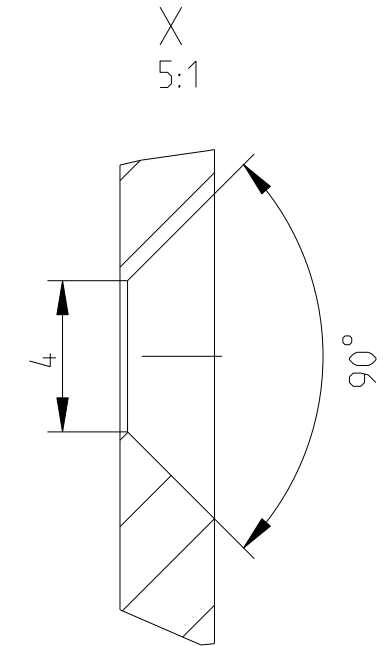
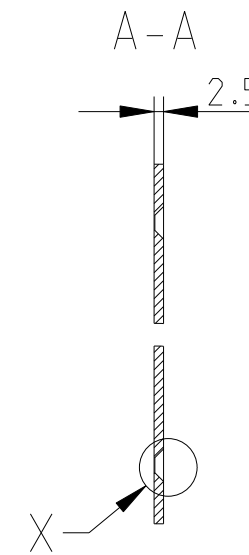
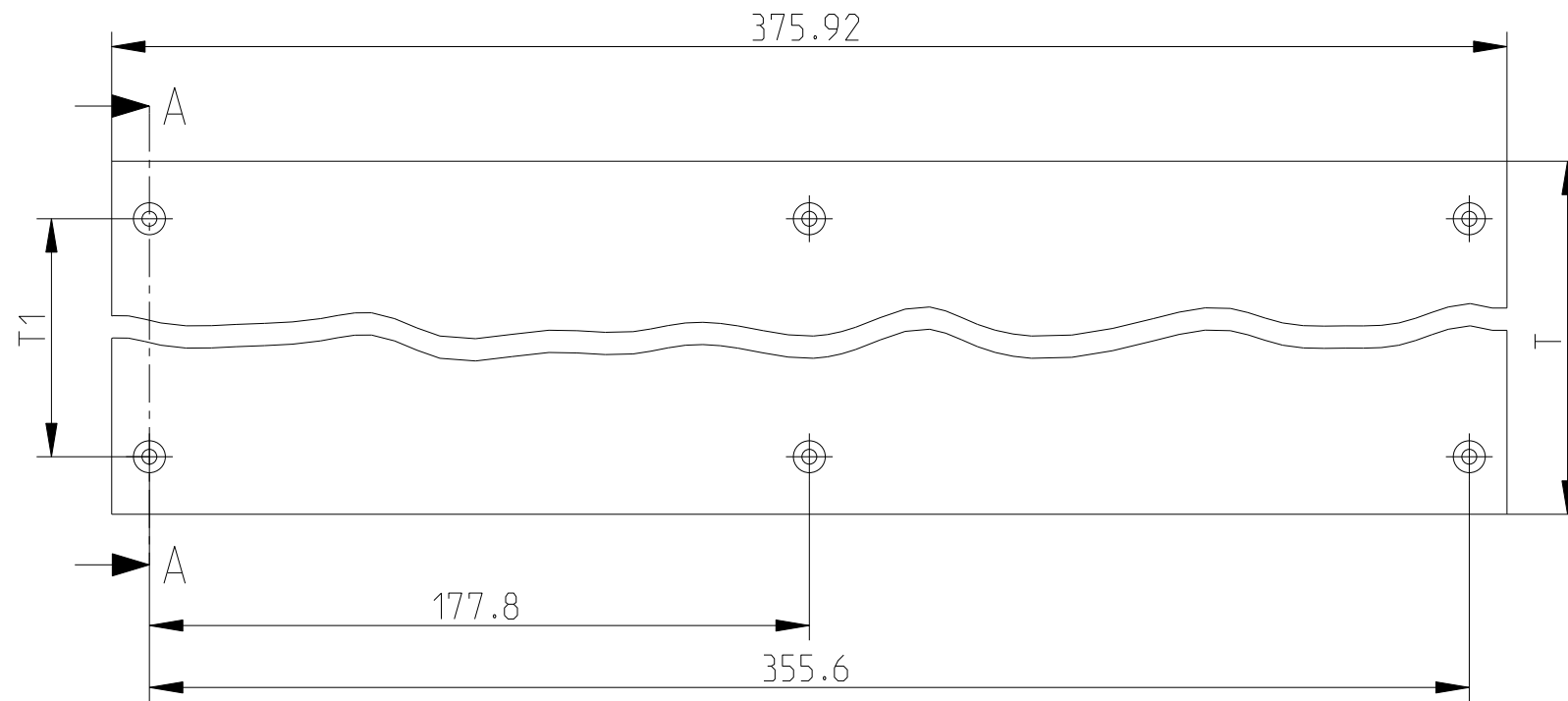


The reproduction, distribution and utilization of this document as well as the communication of its contents to others without explicit authorization is prohibited. Offenders will be held liable for the payment of damages. All rights reserved in the event of the grant of a patent, utility model or design.



Zeichn.-Nr. Draw.-No.	T	T1	Artikel.-Nr. Part.-No.	
			Einzelteil single part	Satz mit Schrauben Kit with screws
_250	236.5	205.5	9909596	3982390 1)
_290	276.5	245.5		
_310	296.5	265.5	9921378	9921952 1)
_350	336.5	305.5	9911963	
_370	356.5	325.5	9919565	9921953 1)
_410	396.5	365.5	9913908	
-430	416.5	385.5	9909406	9921954 1)
_470	456.5	425.5	9917428	

1) Standardprodukt: alle weiteren Typen auf Anfrage  
 standard product:  
 all other types on request

Technische Änderungen vorbehalten  
 subject to change without notice

Dieses Bauteil unterliegt den Reglementierungen der RoHS Richtlinie und deren Umsetzung im ElektroG.

This component is subject to the RoHS directive and its applications within the Electrical and Electronic Equipment Act (ElektroG).

	Toleranzen tolerances		Oberfläche surface		Maßstab/scale 1:2	
					Aluminium Blech/sheetmetal	
03	HT0269	10.01.17	Fr ö.	Date	03.12.04	Montageplatte 84TE Mounting Plate 84HP
02	HT0224	03.11.15	K ö.r.	Prf.	Schaffer	
01	HT0120	08.07.14	K ö.r.			
Rev.	Rev no.	Date	Name	<b>HEITEC</b>		1 Blätter sheets
						Blatt sheet
						1
						P0065303MR53_250-470

CAD